

Wetback Installation Instructions for Bay Aqualux Fire

The Bay Aqualux Insert Fire is fitted with a wetback to supplement the hot water system.

When ordering the fire, you must specify whether the wetback connections are to be on the Left or Right-hand side of the firebox (as seen from the front of the fire).

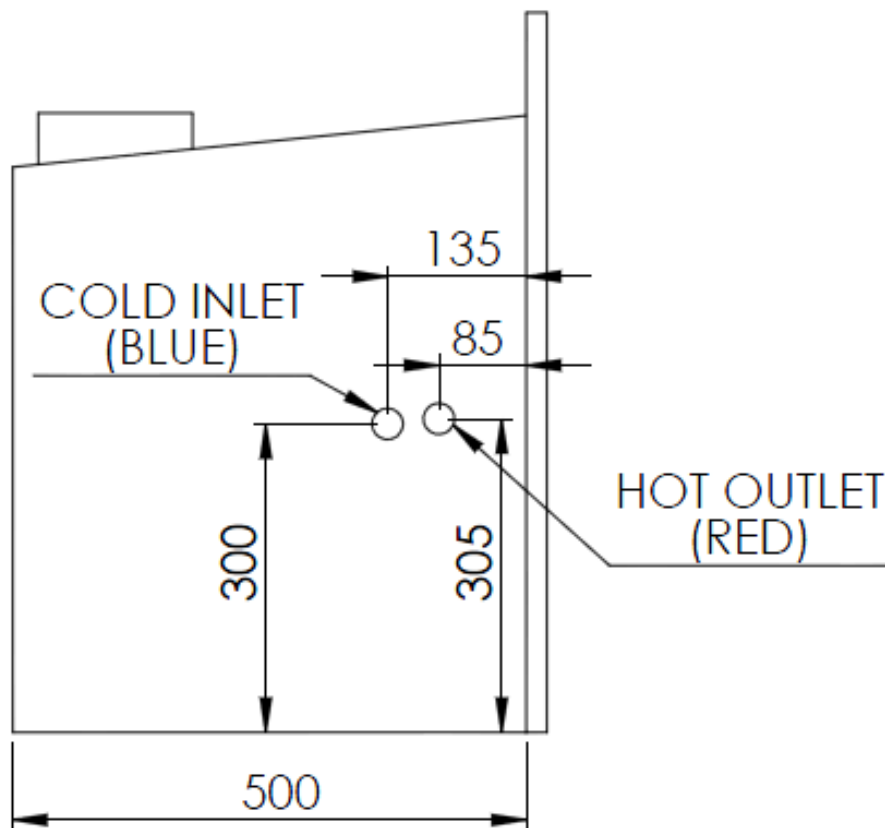
Install in accordance with AS 3500.4.1 or NZS 4603 and the appropriate requirements of the relevant building code.

The brass connections on the wetback are 1" BSP. Connections to the wetback must be made by a qualified plumber.

The pipe connection marked **RED** (Hot) is to be connected to the flow pipe to the hot water cylinder.

The pipe connection marked **BLUE** (Cold) is to be connected to the return pipe coming from the hot water cylinder.

The diagram below shows the connection positions for a Left-side wetback.



Warning

Do not connect to an unvented hot water system.

Do not use this fire without water running through the wetback.

Ensure the wetback does not touch the bricks on the side or rear of the firebox.

This will cause premature wear to the wetback and will not be covered by the 12-month manufacturer's warranty.

For best performance of the Wetback, apply the following rules

- Keep it simple with the shortest and straightest possible pipe run.
- The Fire should be within 6 metres of the hot water cylinder, the closer the better.
- Keep all flow pipes rising—the cylinder should be at least 300mm above the wetback outlet.
- Use only 25mm supply and return pipes.
- Where possible the pipes should be insulated.

Care must be taken to protect the wetback coil and associated pipework if being installed in a hard/corrosive water area. Damage caused to the Wetback coil if fitted in a hard/corrosive water area will not be covered under the 12-month manufacturer's warranty.

