

Masport®

DOMESTIC ROTARY MOWERS

SERIES 18

Part Number

565836

Model

500AL 2'n1 20

Engine

B&S Series 550EX

Month and Year of Manufacture: June 2020

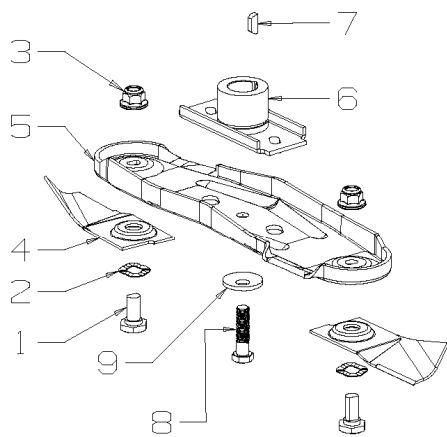
Starting Serial Number: 8460857



Issue A.0
ECN 04185
July 2020 PB
REF # 765836S



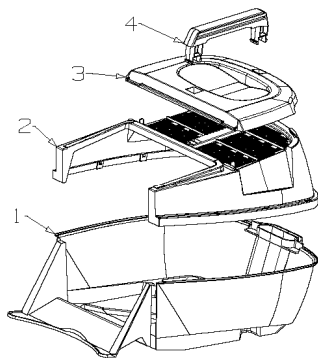
460mm Blade Assembly



Item	Part No	Description	Qty
1	581707	Bolt- Pivot M10 x 22	2
2	580693	Washer, Wavy 13.4 x 24.2	2
3	503672	Nut, M10 Hex Nyloc Flange	2
4	980658	Blade- Quick Cut, 460mm	2
5	980653	Carrier- Blade, Quick Cut	1
6	014173	Driver Assy-Blade , 7/8"	1
7	500636	Key,Woodruff-5/8" x 5/32" x 1/4"	1
8	581610	Screw, Set NF 3/8" x 1.25 NYG8	1
9	502297	Washer- Belleville 10 x 30 x 3	1

Blade & Bolt Sets	
783690	Bolt Set, Inc Items 2 x 1, 2, 3
780658	Blade & Bolt Pack, Inc Items 2 x 1, 2, 3, 4
783261	Blade Assy 460, Inc Items 5 + 2 x 1, 2, 3, 4

Catcher Assembly 18"

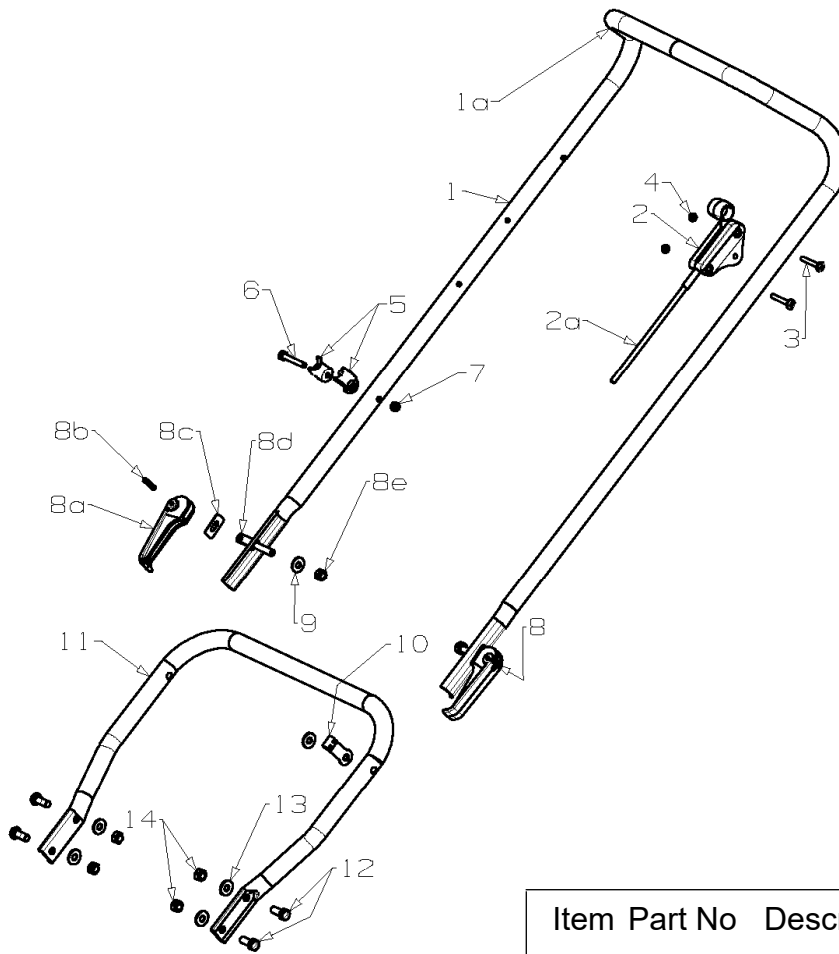


Item	Part No	Description	Qty
1	969454	Catcher- Bottom, 18" Brand Grey	1
2	579117	Catcher- Top, 18" Black	1
3	580674	Catcher- Lid, 18" Black	1
4	580673	Catcher- Handle, Plastic	1

Replacement Catcher Assembly Options

980670 Catcher Assy Black 18" with Unbranded Base

767326 Catcher Assy (Branded) 18" with "Grass Full Indicator" & Grey Base

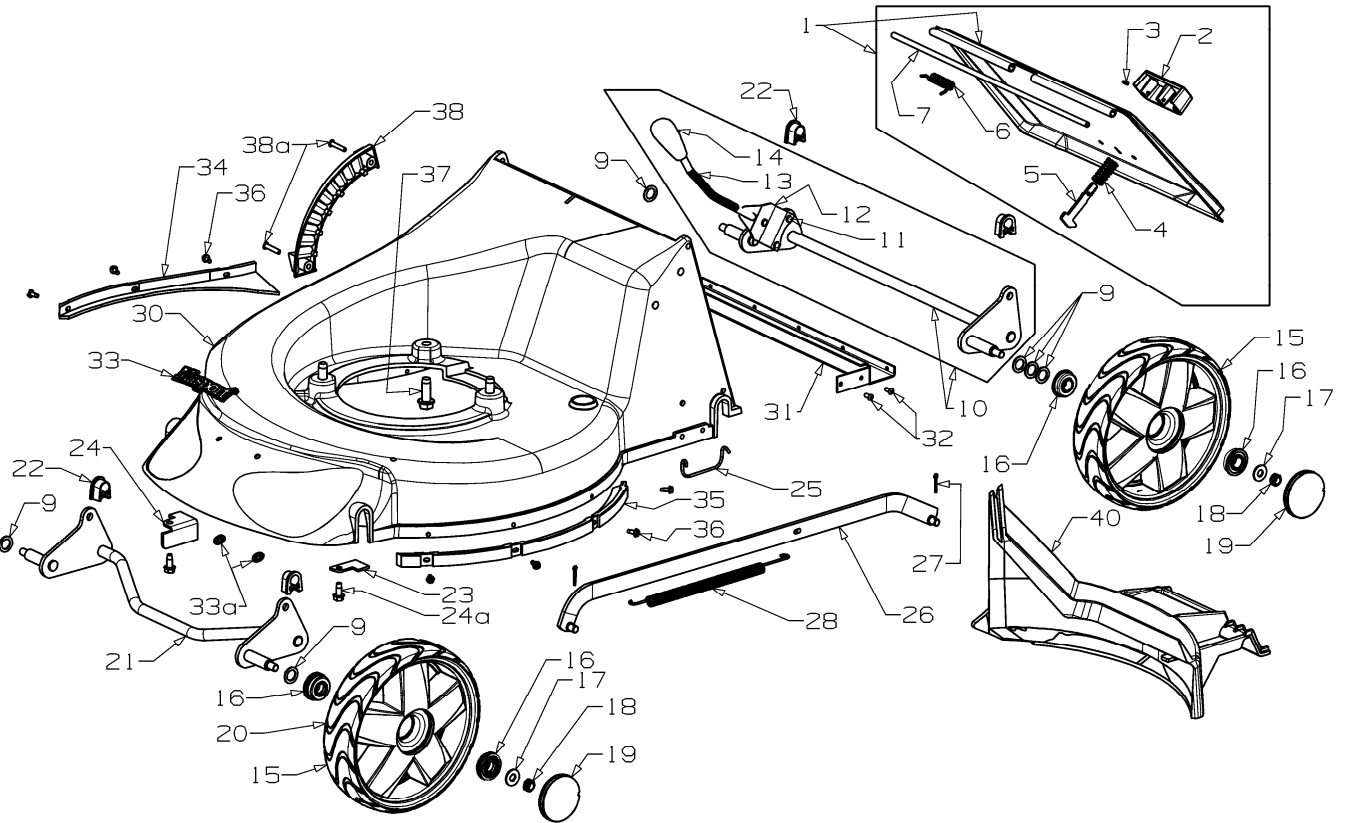


Not Illustrated

503054	Tie- Nylon Cable, Black	1
567545	Decal, HSG"NON RUST ALLOY"	1
573123	Decal, HSG S18 500	1
579405	Decal, Noise S18 500 96dba	1
580778	Stop- Rope	1
581180	Instruct, Catcher Assy	1
582049	Decal, Flap Caution	1
582062	Decal, Height Combo	1
583152	Owner Manual, Masport	1

Item	Part No	Description	Qty
1/1a	767510	Handle & Sleeve PVC/CHR	1
2/2a	779321	Throttle Ctrl & Cable, +VE Red	1
3	503700	*Screw, Pan M5 x 35 Poz	2
4	503511	*Nut, M5 Hex Nyloc	2
5	703856	Comfort Start Kit	1
6	503794	*Screw, Set M6 x 40	1
7	501764	*Nut, M6 Hex Nyloc x 6mm thick	1
8	779755	Cam Lock Assembly (1 per)	2
8a	582419	*Lever- Handle Locking	1
8b	503369	*Pin, Tension 5.0 x 22	1
8c	016777	*Washer- Slipper S/S	1
8d	583041	*Stud- Handle Lock, 61mm	1
8e	501793	*Nut, M8 Hex Nyloc x 8mm thick	1
9	501606	Washer, Flat 8 x 19 x 1.6	2
10	581527	Retainer- Control Cable, Handle	1
11	981257	Handle-Lower, "U" 18"	1
12	501598	Screw, Set M8 x 25	4
13	501606	Washer- Flat, 8 x 19 x 1.6	4
14	501793	Nut, M8 Hex Nyloc x 8mm thick	4

When ordering spares: PLEASE QUOTE PART NUMBER & Description, NOT illustrated number. Item Qty = 1 per part unless stated differently.
BOLD TEXT = Assemblies. Text starting with * = items included in the assemblies & may not be available as a spares item.
 Determine the left hand or right hand sides by standing in the operating position (standing at the handle).



Item	Part No	Description	Qty	Item	Part No	Description	Qty
1	781153	Flap Assembly- Steel, 18"	1	24	564301	Plate- Retainer, Axle RH 18" AL	1
2	580602	*Handle- Flap	1	24a	501599	Screw; S/Tapping 1/4" x 5/8"	2
3	502019	*Pin, Tension 3.0 x 8	1	25	580225	Retainer-Axle , Rear ALI	2
4	581106	*Spring- Flap, Latch	1	26	571030	Rod Assy-Connecting, 175mm	1
5	981650	*Latch- Flap, Barbed	1	27	501056	Pin, Cotter 2.3 dia x 16	2
6	564275	*Spring- Stl Flap, 18" ALI	1	28	581463	Spring-Counter Balance	1
7	581743	*Wire-Flap Pivot 6 x 352	1	30	769392	Housing- Ali 18" MSV WP TTNM	1
9	503301	Washer- Wheel Spacing	6	31	583267	*Brace-Rear, 18"	1
10	969398	Axle Assy-Rear, 18" Combo	1	32	503201	*Rivet-Pop, 4 Dia x 7.9	4
11	503373	*Rivet- F/HD 3/16x27/64"	3	33	567406	*Name Plate "MASPORT" B/W	1
12	580649	*Spring- Leaf	1	33a	503150	*Clip- Starlock, 5mm dia	2
13	973681	*Rod- Height Selector	1	34	581525	Deflector- Air, R/H Plastic	1
14	581729	*Knob- Height, Lever Adjust MSV	1	35	581524	Deflector- Air, L/H (Ser 1) Plastic	1
15	579197	Wheel Assy-200mm Spoked Silver (Includes 2 x 551212 per wheel)	4	36	503630	Screw; S/T 10 x .4 Type B	7
16	551212	Bearing- Wheel, Ball Type	8	37	580453	Screw, S/T 3/8" x 1-1/8" UNC	3
17	501606	Washer, Flat 8 x 19 x 1.6	4	38	580025	Quadrant- Height Selector, Plastic	1
18	503831	Nut, M8 Hex Nyloc 6mm thick	4	38a	503660	Rivet-Pop, 4.8 dia x 9 73AS6-6	2
19	579198	Hub Cap, Button Spoked Silver	4	40	583105	Insert- Mulching, 18" ALI	1
21	983281	Axle Assy- Front, 200mm	1				
22	580030	Bush-Pivot, Front Axle	4				
23	980564	Retainer-Axle , Front Plate	1				

When ordering spares: PLEASE QUOTE PART NUMBER & Description, NOT illustrated number. Item Qty = 1 per part unless stated differently.
BOLD TEXT = Assemblies. Text starting with * = items included in the assemblies & may not be available as a spares item.
 Determine the left hand or right hand sides by standing in the operating position (standing at the handle).