

# Masport®

## ROTARY MOWERS

### SERIES 18

Part Number  
565950

Model  
Lawn Marshal 460 22

Engine 502361  
Loncin 139cc

Month and Year of First Manufacture: May 2022  
From Serial Number: 8696739

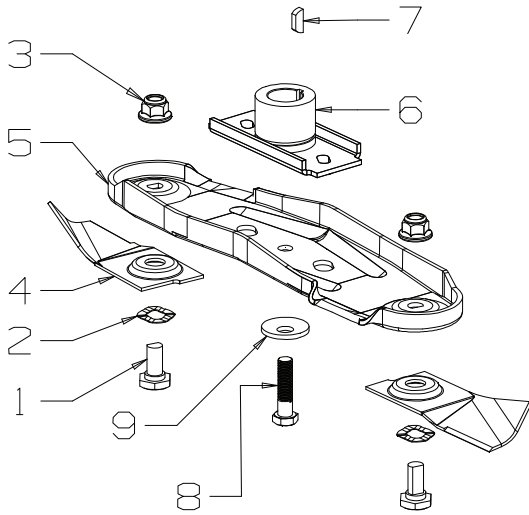


Spares Version

Issue A.0  
May 2022 PB  
ECN # 04364  
IPL Ref # 765950



## 460mm Quick Cut Blade Assembly

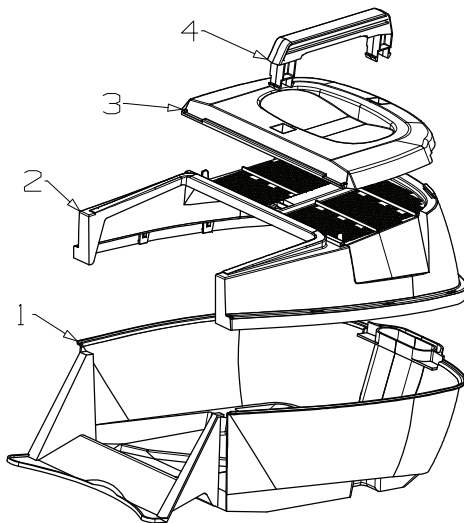


Item	Part No	Description	Qty
1	581707	Bolt- Pivot M10 x 22	2
2	580693	Washer, Wavy 13.4 x 24.2	2
3	503672	Nut, M10 Hex Nyloc Flange	2
4	980658	Blade- Quick Cut, 460mm	2
5	980653	Carrier- Blade, Quick Cut	1
6	014173	Driver Assy- Blade , 7/8"	1
7	500636	Key, Woodruff-5/8" x 5/32" x 1/4"	1
8	581610	Screw, Set NF 3/8" x 1.25 NYG8	1
9	502297	Washer- Belleville 10 x 30 x 3	1

### Blade & Bolt Sets

- 783690 Bolt Set, Inc Items 2 x 1, 2, 3
- 780658 Blade & Bolt Pack, Inc Items 2 x 1, 2, 3, 4
- 783261 Blade Assy 460, Inc Items 5 + 2 x 1, 2, 3, 4

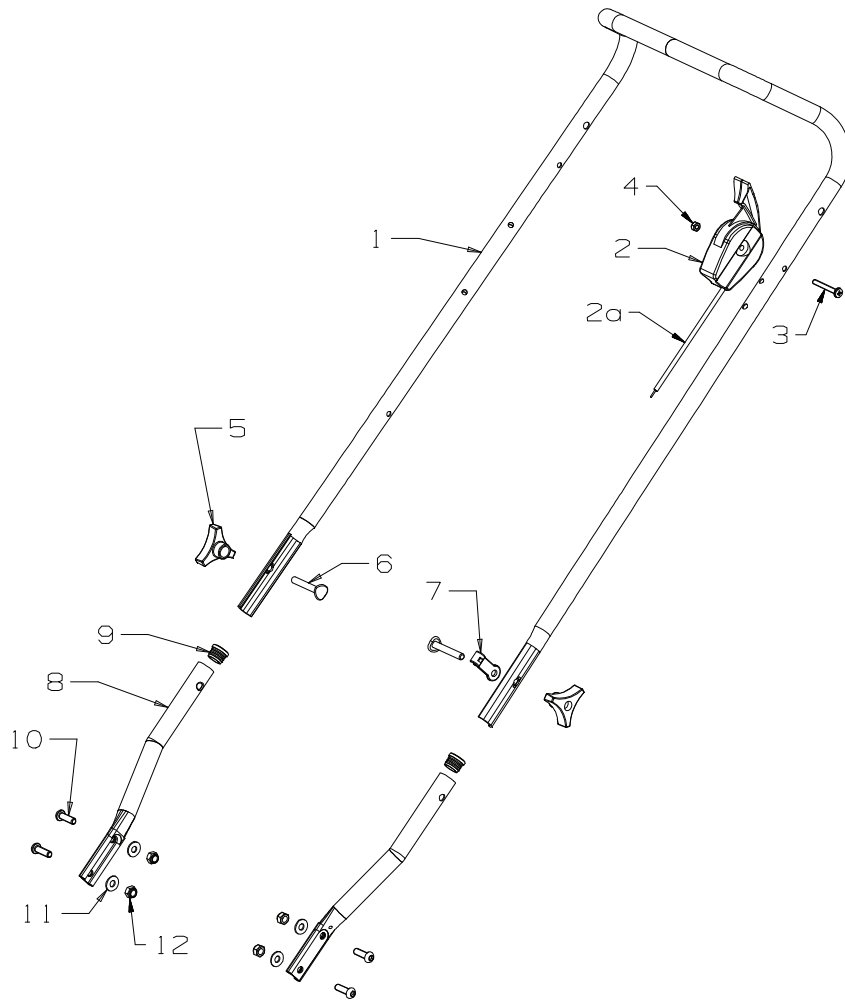
## 18" Catcher Assembly- Plastic, Black



Item	Part No	Description	Qty
1	583295	Catcher- Bottom, 18" Brand Black	1
2	579117	Catcher- Top, 18" Black	1
3	580674	Catcher- Lid, 18" Black	1
4	580673	Catcher- Handle	1

### Replacement Catcher Assembly Options

- 980670 Catcher Assy Black 18" with Unbranded Base
- 783006 Catcher Assy (Branded) 18" with "Grass Full Indicator" & Black Base



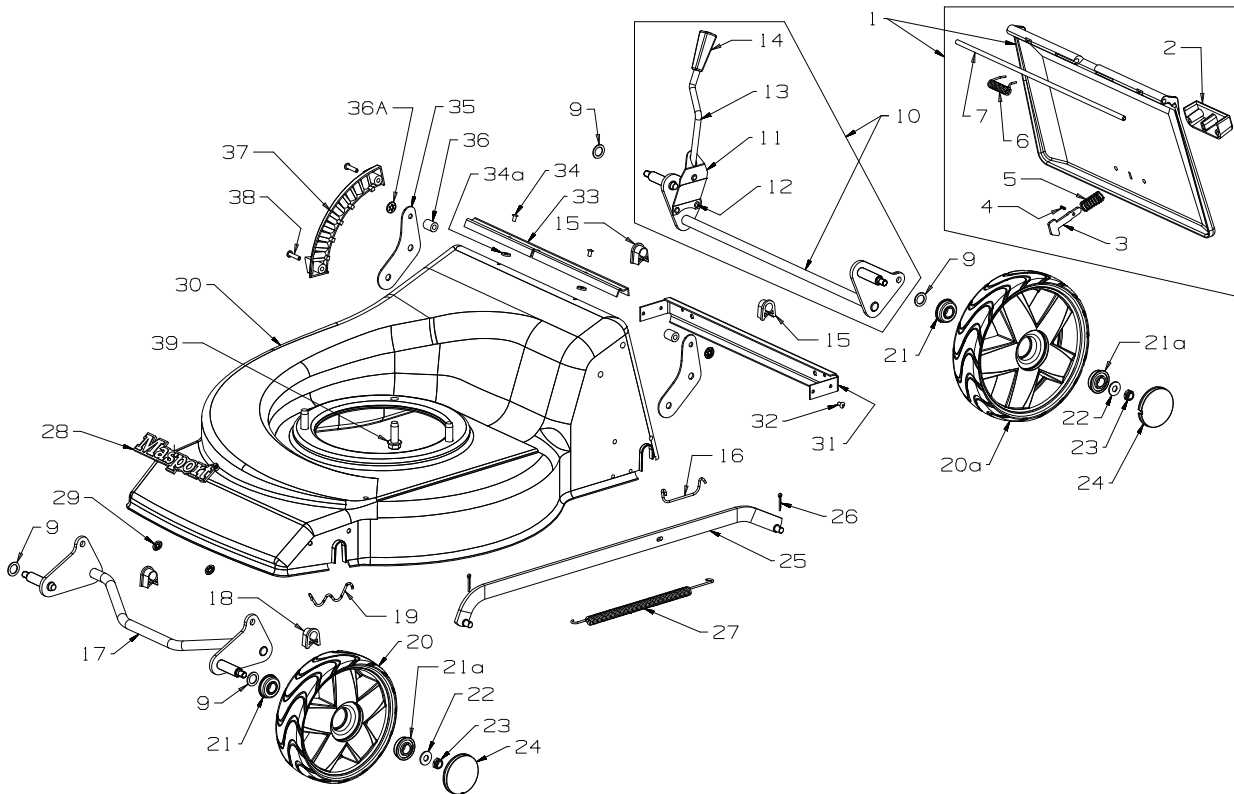
Item	Part No	Description	Qty	Not Illustrated	
1	780616	Handle & Sleeve PVC/BLK	1	503054	Tie- Nylon Cable, Black 1
2/2a	583458	<b>Throttle Ctrl &amp; Cable, Wescon</b>	1	573174	Decal, HSG Lawn Marshal 1
3	503604	*Screw, Pan M6 x 45 Poz	1	579414	Decal, Noise MAS 75dba 1
4	501764	*Nut, M6 Hex Nyloc x 6mm thick	1	581180	Instruct, Catcher Assy 1
5/6	774230	<b>Knob Lock Assembly (2 per)</b>	1	582049	Decal, Flap Caution 1
5	574230	*Knob- Plastic, M8	2	583152	Owner Manual, Masport 1
6	574218	*Bolt, Sph Head M8 x 53 x 35	2		
7	581527	Retainer-Control Cable, Handle	1		
8	980692	Handle-Lower, Stub Black	2		
9	503319	Plug-22mm Black Plastic	2		
10	503643	Screw, Set M8 x 25 Button Head	4		
11	501606	Washer-Flat, 8 x 19 x 1.6	4		
12	501793	Nut, M8 Hex Nyloc x 8mm thick	4		



565950 Ser 18  
Lawn Marshal 460 22  
Spares Version

# Masport®

Issue A.0  
May 2022 PB  
ECN # 04364  
IPL Ref # 765950



Item	Part No	Description	Qty	Item	Part No	Description	Qty
1	764242	<b>Flap Assy- Plastic, Latched</b>	1	23	503831	Nut, M8 Hex Nyloc x 6mm thick	4
2	580602	*Handle - Flap	1	24	579198	Hub Cap- Button, Spoked Silver	4
3	981650	*Latch- Flap, Barbed	1	25	567516	Rod Assy- Connecting, 18" Push	1
4	502019	*Pin, Tension 3.0 x 8	1	26	501056	Pin, Cotter 2.3dia x 16	2
5	581106	*Spring- Latch, Flap	1	27	581463	Spring- Counter Balance	1
6	581349	*Spring- Flap	1	28	581240	Nameplate- MASPORT	1
7	779732	*Wire- Flap Pivot 6mm x 377mm	1	29	503150	Clip- Starlock, 5 dia	2
9	503301	Washer; Flat 1/2 x 3/4 x 18g	4	30	781458	<b>Hsg- Stl 18" ODS CO TTNM</b>	1
10	783256	<b>Axle Assy- Rear, MSV</b>	1	31	980608	*Brace-Rear	1
11	580649	*Spring- Leaf	1	32	581369	*Rivet- Pop 4.0 Dia x 3.2	4
12	503373	*Rivet- F/HD 3/16 x 27/64"	3	33	583151	Dust Seal-Flap	1
13	980733	Rod- Height Selector (Sq Knob)	1	34	581369	Rivet- Pop 4.0 x 3.2 73SS5-2	2
14	580056	Grip- Height Lever, Square Black	1	34a	502170	Washer, Nylon 5 x 12 x 2.0	2
15	580668	Bush- Pivot, Rear Axle	2	35	567585	Bracket-Flap	2
16	579292	Retainer- Axle, Rear, Steel Deck	2	36	579733	Spacer-Flap	2
17	983247	Axle Assy- Front, 175mm	1	36a	503574	Clip- Starlock, 6mm dia	2
18	580030	Bush- Pivot, Front Axle	2	37	580025	Quadrant- Height Selector	1
19	529674	Retainer- Axle W, Front	2	38	503660	Rivet- Pop 4.8 x 9.0 73AS6-6	2
20	579196	Wheel Assy-175mm, Spoked Slvr (Includes 2 x 551212 per wheel)	2	39	580453	Screw, S/T 3/8" x 1-1/8"	3
20a	579197	Wheel Assy-200mm, Spoked Slvr (Includes 2 x 551212 per wheel)	2	Not Illustrated			
21	579694	Bearing- Wheel	4	765355	<b>Motor Assy- Loncin 139cc</b>	1	
21a	551212	Bearing- Wheel, Ball	4	502361	*Engine. LONCIN LC1P65FE 139cc	1	
22	501606	Washer, Flat 8 x 19 x 1.6	4				

When ordering spares: PLEASE QUOTE PART NUMBER & DESCRIPTION, NOT illustrated number. Item Qty = 1 per part unless stated differently.  
**BOLD TEXT** = Assemblies. Descriptions starting with \* = items included in the assemblies & may not be available as a spares item.  
 Determine the left or right hand sides by standing in the operating position (standing at the handle).